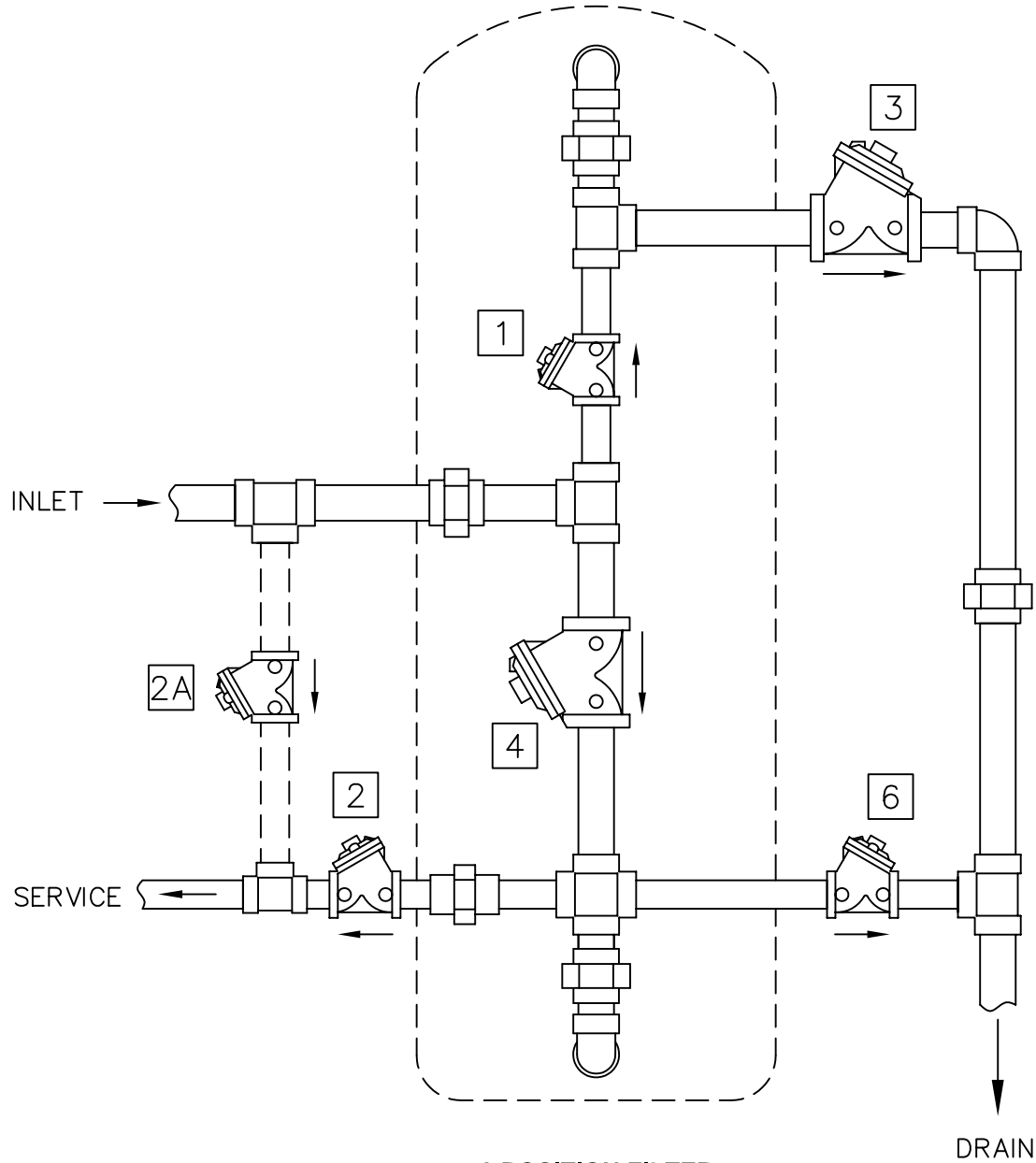


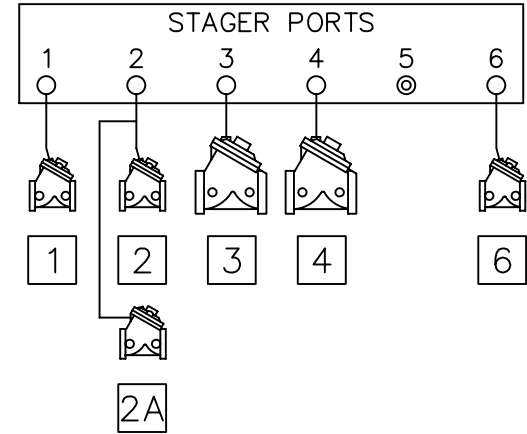
3 POSITION FILTER (48-01 STAGER)

NOTCH	POS.	FUNCTION	PORTS VENTED (NOTE 1)	VALVES OPEN
A	3	SERVICE	1,2	1,2
B				
C	1	BACKWASH	3,4	3,4,2A
D				
E				
F	2	RINSE	1,6	1,6,2A



3 POSITION FILTER

SERIES 48-01 STAGER



NOTE:

1. ALL OTHER PORTS PRESSURIZED.
2. ALL VALVES (EXCEPT NO. 2A) NORMALLY OPEN, PRESSURE TO CLOSE. VALVE 2A NORMALLY CLOSED.
3. VALVE 2A REQUIRED FOR RAW WATER BYPASS DURING REGENERATION.
4. DRAIN LINE FLOW CONTROLLER NOT SHOWN.

B	CHANGED PIPING TO VALVE 2A TO BE DOTTED	NONE	MSM	15APR03	
A	INITIAL RELEASE	NONE	JWB	31JUL01	MSM
REV	DESCRIPTION	ECO	DWN	DATE	APVD



20580 Enterprise Avenue
 Brookfield, WI 53045
 888.784.9065
 www.Pentairwatertreatment.com

3 POSITION FILTER

SCALE	DRAWN	DATE	DWG. NO.
N/A	JWB	31JUL01	1078272