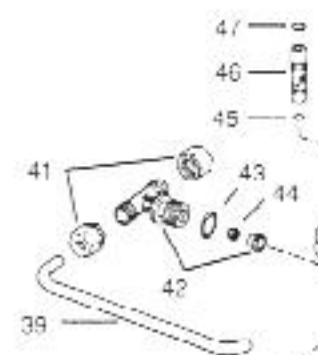
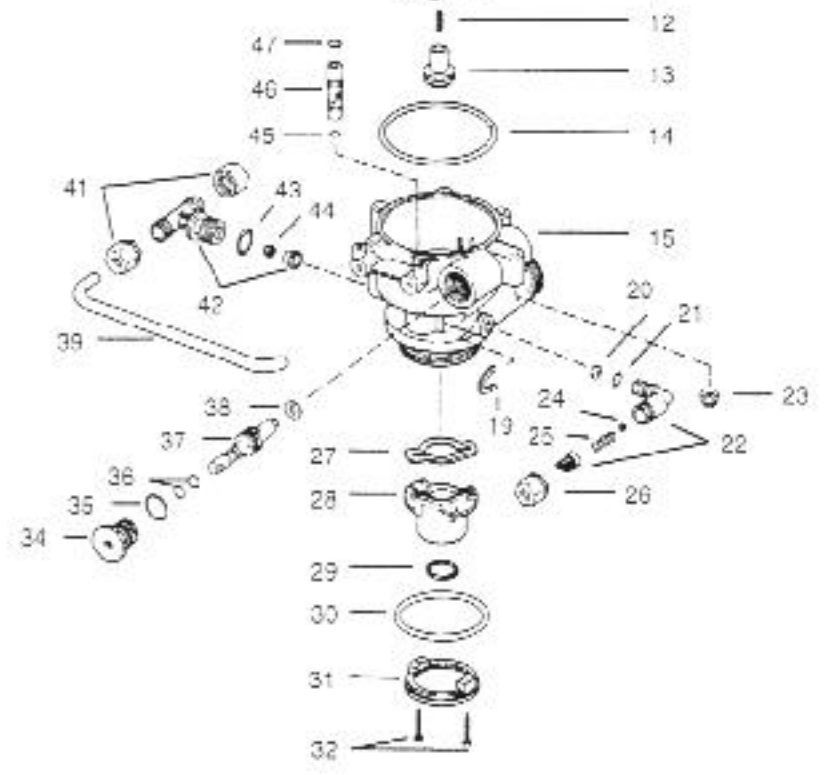
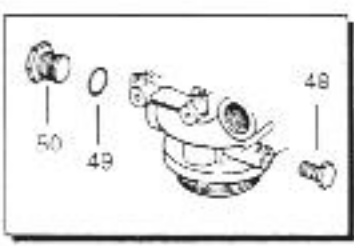
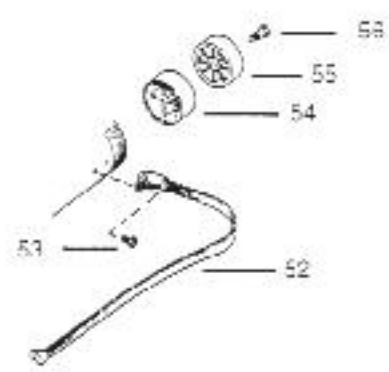
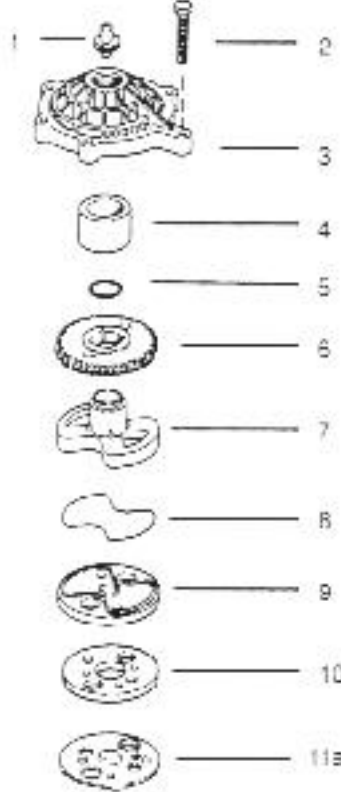


## ELECTRONIC POWER HEAD PARTS LIST

<u>ITEM</u>	<u>P/N</u>	<u>DESCRIPTION</u>	<u>QTY.</u>
3.	568-360-*	Timer Cover	1
4.	15-179-2	Screw, Circuit Board	2
5.	570-247	Insulator Board	1
6.	2001-227-**-E	Circuit Board	1
7.	15-102	Screw, Battery Box, Small	1
9.	568-378-3	Back Plate/Support Post Assembly	1
10.	570-224-1	Battery Box, Upper	1
11.	15-180-20	Screw Battery Box, Large	1
12.	670-221	Battery Box, Lower	1
13.	15-41-1	Screw, Timer Cover	3
18.	568-396	Cam/Switch & Bracket Assembly	1
19.	568-394	Drive Motor	1
20.	15-131	Screw, Back Plate Mount	2
21.	568-399	Support Bracket	1
22.	15-222	Screw, Motor/Switch Mount	2

\* - Specify Standard or Custom

\*\*-- Specify Model



# VALVE BODY PARTS LIST

<u>ITEM</u>	<u>P/N</u>	<u>DESCRIPTION</u>	<u>QTY.</u>
1.	568-271-*	Backwash Flow Control	1
2.	568-223	Bolt, Valve Cover	6
3.	568-254-3	Valve Cover	1
4.	568-332	Slæve	1
5.	186-112	O-ring, White	1
6.	568-260	Worm Gear	1
7.	568-259	Cam	1
8.	185-041-1	O-ring, Cam/Rotor	1
9.	568-345-2	Rotor Plate	1
10.	568-256	Seal Plate	1
11a.	568-383	Insert Plate	1
12.	413-62	Spring	1
13.	568-270-2	Float Valve/O-Ring Assembly	1
14.	185-154-1	O-ring, Valve Cover	1
15.	568-253	Valve Body	1
19.	541-254	Retainer Clip	1
20.	432-*	Brine Refill Flow Restrictor	1
21.	186-118	O-ring, Brine Refill	1
22.	568-336	Brine Refill Elbow/Retainer	1
23.	568-224	Nut, Valve Cover	6
24.	541-275	Checkball, Brine Refill	1
25.	413-62	Spring	1
26.	21-88	Compression Nut	1
27.	570-251	Gasket, Riser	1
28.	568-334	Riser	1
29.	185-214-1	O-ring, Riser	1
30.	185-337-1	O-ring, Tank	1
31.	541-232	Adapler, Upper Distributor	1
32.	15-207-12	Screw, Adapter	2
34.	568-216-3	Packing Gland Nut	1
35.	185-211-1	O-ring, Packing Gland	1
36.	186-115	O-ring, Worm Drive Shaft	2
37.	568-208-2	Worm Drive Shaft	1
38.	14-43	Washer, Worm Drive Shaft	1
39.	0041-014	Brine Refill Tube	1
41.	21-88	Compression Nut	2
42.	568-340	Check Tee/Retainer	1
43.	185-208-1	O-ring, Check Tee	1
44.	26-47-12N	Checkball, Check Tee	1
45.	185-011-1	O-ring, Injector, Lower	1
46.	568-215-*	Injector	1
47.	186-107	O-ring, Injector, Upper	1
48.	541-277	Filter Plug, Small	1
49.	185-208-1	O-ring, Filter Plug Large	1
50.	21-72-3	Filter Plug Large	1
52.	570-246-1	Meter Sensor Cable	1
53.	15-172	Screw, Meter Sensor Cable	1
54.	570-206	Meter Hub	1
55.	570-208	Meter, Standard	1
56.	15-196	Shoulder Screw, Meter	1
57.	568-384	Gasket, Insert Plate	1

\* -- Specify Size

## Symptom / Cause

## Solution

### 6. Excessive Water In The Brine Tank

- A. Injector is plugged.
- B. Defective or damaged sealplate.
- C. Cam / Rotor assembly is out of synchronization.
- D. The check ball in the brine tee is dirty.
- E. Refill cycle set incorrectly.
- F. Drain line is restricted.
- G. Plugged backwash flow control (BWFC).

- A. Clean and/or replace the injector.
- B. Replace the sealplate. Follow the procedure detailed in the Parts Replacement section of this manual.
- C. Synchronize the Cam / Rotor assembly.
- D. Remove the brine tee and clean the check ball. Inspect tee for debris.
- E. Verify that the refill time corresponds with the proper salt level and amount of media.
- F. Insure that drain line is free of kinks. Index the control to backwash and verify flow rate.
- G. Inspect BWFC to insure it is free of debris.

### 7. Unit Fails To Draw Brine

- A. Injector is plugged.
- B. Loose brine line connection.
- C. Drain line is restricted.
- D. Low inlet pressure.
- E. Improper installation of distributor pipe.

- A. Clean and/or replace the injector.
- B. Verify that all brine line connections are tight.
- C. Insure that drain line is free of kinks. Index the control to backwash and verify flow rate.
- D. Verify that service inlet pressure is a minimum of 20 psi.
- E. Verify that the distributor pipe is cut 1/2 inch below the top of the tank threads.

### 8. Continuous Flow To Drain

- A. Defective or damaged sealplate.
- B. Cam / Rotor assembly is out of synchronization.
- C. White, Teflon O-ring is missing or damaged.
- D. Drive motor failure.

- A. Replace the sealplate. Follow the procedure detailed in the Parts Replacement section of this manual.
- B. Synchronize the Cam / Rotor assembly.
- C. Reinstall or replace.
- D. Replace the drive motor.

### 9. Loss Of Water Pressure

- A. Iron build-up in mineral tank.
- B. Iron build-up in the line leading to the control valve inlet.
- C. Lower distributor basket crushed.

- A. Clean the resin bed and the control valve. Increase the frequency of regeneration.
- B. Clean the water line.
- C. Replace the lower distributor basket. Insure that the top of the distributor pipe is cut 1/2 inch below the top of the tank threads.

### 10. Control Cycles Continuously

- A. Defective gear motor microswitch assembly.
- B. Loose timing cam set screw.
- C. Defective circuit board.

- A. Replace gear motor microswitch assembly.
- B. Synchronize the power head and the Cam / Rotor assembly. Tighten the set screw.
- C. Replace the circuit board.

# SOFTENER & FILTER CONTROL — 2001 SERIES ELECTRONIC TIMER

The Complete Part Number Must be the Basic Control Number  
Plus the Suffixes from Tables 1, 2, 3, 4, & 5 if Applicable.

2001

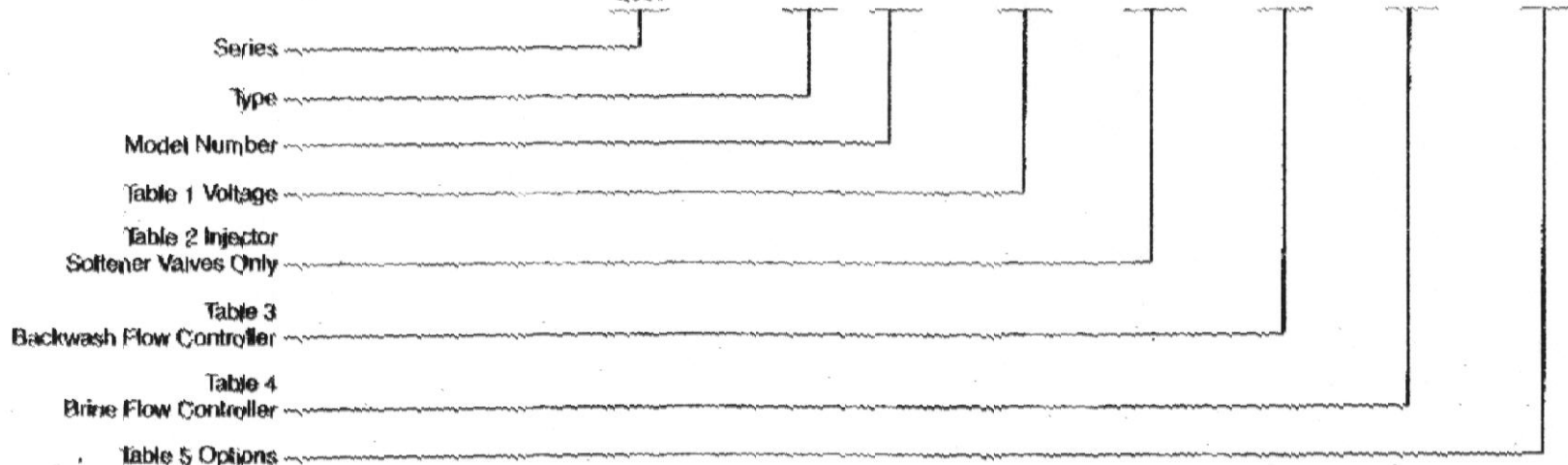


TABLE 1

VOLTAGE			
Suffix Letter	Volts	Hz	
E	24	60	
F	120	60	
G	240	60	
H	208	60	
J	24	50	
K	125	50	
L	220/240	50	
Q	100	50	

TABLE 2

INJECTOR	
Suffix No.	Tank Size
1	8-12"
2	12-18"
4	7-8"

TABLE 3

BACKWASH FLOW CONTROL	
Suffix Letter	Flow Rate (GPM)
E	1.8
F	1.8
G	2.0
H	2.2
J	2.6
K	3.5
L	4.0
M	5.0
N	6.0
O	NO CONTROL
P	7.0
Q	8.0
R	9.0
S	10.0

TABLE 4

BRINE FLOW CONTROL		
Suffix Letter	Flow Rate (GPM)	Lbs. Salt/Min.
A	3	.9
B	4	1.2
C	7	2.1
D	9	2.7
E	15	4.8

TABLE 5

OPTIONS	
Suffix No.	
6	Upper Dist. Adapter 1.050' Riser
7	Upper Dist. Adapter 1.050' Riser Weather Cover
17	Upper Dist. Adapter 1.050' Riser New Cover

TYPE
S = Softener Valve F = Filter Valve
<b>MODEL NUMBER</b>
5 - Electronic Day Timer
6 - Electronic Demand System (Gallons)
7 - Electronic Demand System (Liters)
8 - Electronic Demand System with 4-Day Override Design (Liters)
9 - Electronic Demand System with 4-Day Override Design (Gallons)
10 - Dual BW Filter Electronic Day Timer
19 - Dual BW Filter Electronic Demand

Shipped and Packaged Separately